

UV570 series HD Video Conference Camera

**Full HD, Wide View Angle, Multiple
Video Interfaces, Multi-protocols, Multi-lens**

UV570 series camera offers perfect functions, superior performance and rich interfaces. The features include advanced ISP processing algorithms to provide vivid images with a strong sense of depth, high resolution, and fantastic color rendition.

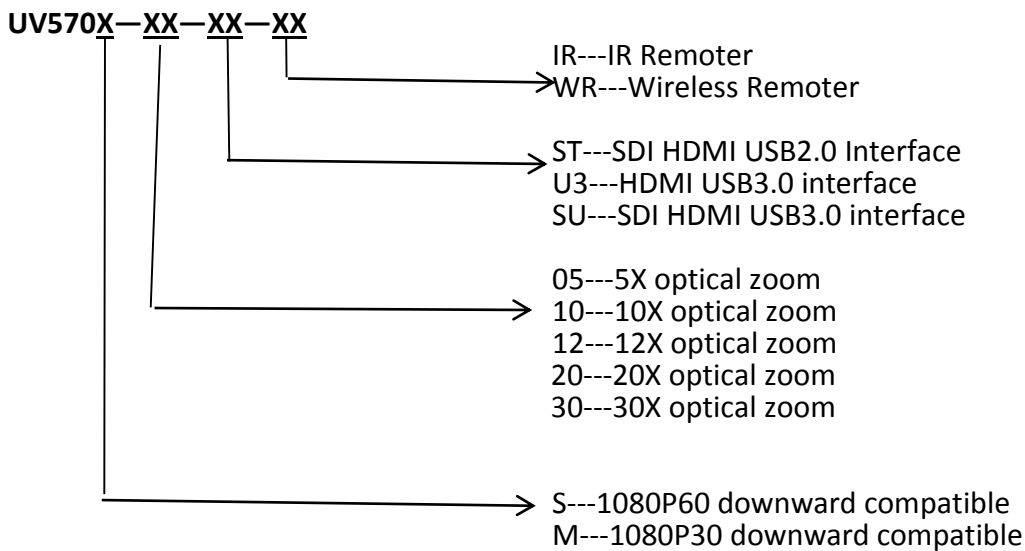


Key Features:

- **Superb High-definition Image**
UV570 adopts 1/2.8 inch, 2.07 megapixel high quality CMOS sensor. Resolution is up to 1920x1080 with frame rate up to 60fps.
- **Multiple Optical Zoom Lens**
5X, 10X, 12X, 20X and other optical zoom lens for options. The lens adopts 83.7° wide angle without distortion.
- **Leading Auto Focus Technology**
Leading auto focus algorithm makes lens auto focus more quickly, accurately and stably.
- **Low Noise and High SNR**
Low Noise CMOS effectively ensure high SNR of camera video. The adoption of advanced 2D/3D noise reduction technology not only further reduces the noise, but also ensuring image sharpness.
- **Multiple Audio Output Interfaces**
Support HDMI, SDI, CVBS, USB2.0, USB3.0, LAN; HDMI, SDI, LAN interfaces support audio and video simultaneous output; SDI supports to transmit 100 meters under the 1080P60 format.
- **Multiple Audio/Video Compression Standard**
Support H.264/H.265 video compression, AAC, MP3 and G.711A audio compression and 1920x1080 resolution with frame rate up to 60fps compression; Support 8000, 16000, 32000, 44100, 48000 sampling frequency.
- **Audio and Video Storage**
USB2.0 interface supports U disk storage function, real-time recording and storage.
- **Built-in gravity sensor**
Built-in gravity sensor, support the automatic flip function of the gimbal, convenient for engineering installation.
- **Multiple Network Protocols**
Support ONVIF, GB/T28181, RTSP, RTMP protocols, RTMP push mode, which is easy to link streaming media server (Wowza, FMS), RTP multicast mode and network full command VISCA control protocol.
- **Control interface:** RS485, RS232; RS232 support cascade, easy to install and use.

- **Multiple Control Protocol**
Support VISCA, PELCO-D, PELCO-P protocols and Automatic identification protocol.
- **Extremely Quiet PTZ**
Adopting step driving motor mechanism and motor drive controller with high precision is to ensure PTZ works smoothly with low speed and without noise.
- **Low-Power Sleep Function**
Support low-power sleep/wake up, the consumption is lower than 400mW under sleep mode.
- **Multiple Preset:** Support 255 preset positions (the remote controller is set to 10preset positions).
- **Multiple Remote Controller**
Users can choose infrared remote controller or wireless remote controller according to the environmental conditions.2.4G wireless remote controller is not affected by the angle, distance, infrared interference.
- **Wide Application**
Tele-education, Lecture Capture, Webcasting, Videoconferencing, Tele-training, Tele-medicine, Interrogation and Emergency command systems.

Order Model No.:



Technical Specification:

Model	UV570-05	UV570-10	UV570-12	UV570-20	UV570-30
Camera Parameter					
Optical Zoom	5X f = 3.1 ~ 15.5mm	10X f = 4.7 ~ 47mm	12X f = 3.9 ~ 46.8mm	20X f = 5.2 ~ 98mm	30X f = 4.3 ~ 129mm
Sensor	1/2.8 inch high quality HD CMOS sensor				
Effective Pixels	2.07 megapixel 16:9				
Video Format	HDMI/SDI video format: 1080P60、1080P50、1080I60、1080I50、1080P30、1080P25、720P60、720P50; USB3.0 interface video format: Main stream: YUY2/MJPEG/NV12/H.264/H.265 supports 1920×1080P30, 1280×720P30, 1024×576P30, 960×540P30, 800×448P30, 720×480P30, 640×360P30, 640×480P30, 320×176P30 Secondary stream: YUY2/NV12 supports 640×360P30, 640×480P30, 320×176P30				

	MJPEG/H.264 supports 1920×1080P30, 1280×720P30, 1024×576P30, 960×540P30, 800×448P30, 720×480P30, 640×360P30, 640×480P30, 320×176P30				
View Angle	20.0°(tele) 83.7°(wide)	6.43°(tele) 60.9°(wide)	6.3°(tele) 72.5°(wide)	3.2°(tele) 56°(wide)	2.34°(tele) 65°(wide)
AV	F1.8 – F2.8	F1.6 – F3.0	F1.8 – F2.4	F1.5 – F3.0	F1.6 – F4.7
Digital Zoom	10X				
Minimum Illumination	0.5Lux (F1.8, AGC ON)				
DNR	2D & 3D DNR				
White Balance	Auto / Manual/ One Push/ 3000K/3500K/4000K/4500K/5000K/5500K/6000K/6500K/7000K				
Focus/Aperture/ Electronic Shutter	Auto/Manual/One Push				
Iris	Auto/Manual				
Shutter	Auto/Manual				
BLC	ON/OFF				
WDR	OFF/ Dynamic level adjustment				
Video Adjustment	Brightness, Color, Saturation, Contrast, Sharpness, B/W mode, Gamma curve				
SNR	>50dB				
Input/Output Interface					
Video Interfaces	UV570-ST: HDMI, SDI, LAN, CVBS, RS232-IN/OUT, RS485, A-IN, USB2.0(USB Disk Storage) UV570-U3: HDMI、LAN(POE)、USB3.0 (Type B compatible with USB2.0) 、A-IN、RS232-IN、RS232-OUT、RS422 (Compatible with RS485) 、rotary dialing, DC12V power supply, power switch UV570-SU: HDMI、LAN(POE)、USB3.0 (Type B compatible with USB2.0) 、SDI、A-IN、RS232-IN、RS232-OUT、RS422 (Compatible with RS485) 、rotary dialing, DC12V power supply, power switch				
Video Output	HDMI, SDI, LAN, USB3.0, USB2.0, CVBS				
Video Stream	Dual stream output				
Video Compression Format	LAN Interface: H.265, H.264, Dual stream output USB3.0 interface: Main stream supports YUY2, MJPEG, H.264, NV12, H.265 Secondary stream support YUY2, MJPEG, H.264, NV12				
Audio Input Interface	A-IN: Double track 3.5mm linear input				
Audio Output Interface	HDMI, SDI, USB3.0, LAN				
Audio Compression Format	AAC/MP3/G.711A				
Network Interface	100M IP port(10/100BASE-TX)				
Network Protocol	RTSP, RTMP, ONVIF, GB/T28181, Support network VISCA control protocol Support remote upgrade, remote restart, remote reset				
Control Interface	RS232, RS485				
Control Protocol	VISCA/Pelco-D/Pelco-P, Baud Rate: 115200/9600/4800/2400bps				
USB Communication protocol	UVC(video communication protocol), UAC(audio communication protocol)				
Power Interface	HEC3800 outlet (DC12V)				
Input Voltage	DC12V±10%				
Input Current	1A (Maximum)				
Power Consumption	12W (Maximum)				
PTZ Parameter					
Pan/Tilt Rotation	±170°, -30° ~ +90°				
Pan Control Speed	0.1 -100°/sec				

Tilt Control Speed	0.1- 45°/sec
Preset Speed	Pan: 100°/sec, Tilt: 45°/sec
Preset Number	255 presets (10 presets by remote controller)
Other Parameter	
Stored Temperature	-10℃~+60℃
Storage Humidity	20%~95%
Working Temperature	-10℃~+50℃
Working Humidity	20%~80%
Dimension	181mmX115mmX149mm
Weight(Around)	1.15KG
Using environment	Indoor
Accessory	
Random Accessory	Power supply, RS232 control cable, USB3.0 connection cable (U3 model), Remote controller, Manual, Warranty Card
Optional Accessories	Mounting bracket

Dimension(unit: mm)

