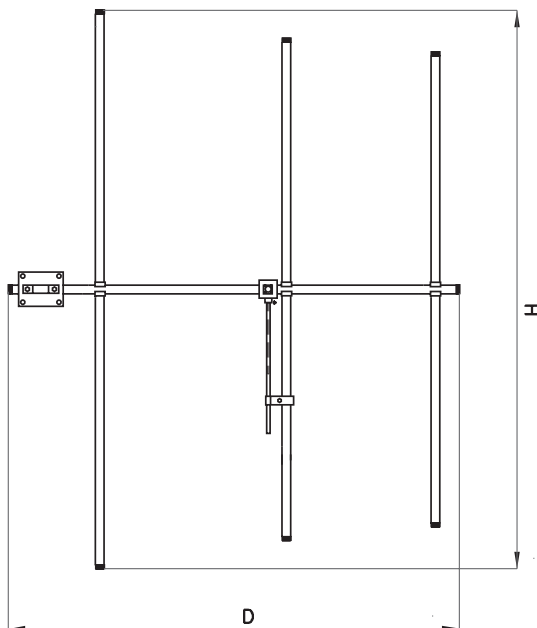


# DIRECTIONAL FM BROADCAST ANTENNA **D3LB**

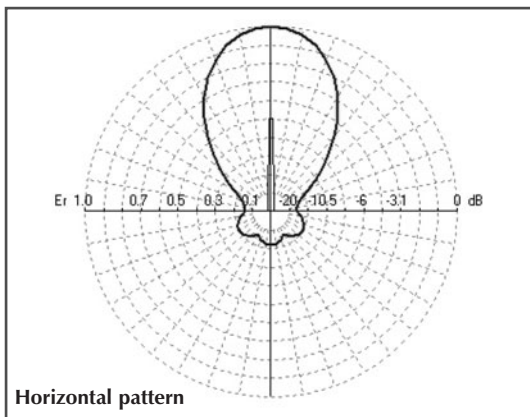
- **General.** General. The D3LB Vertical Directional Antenna is designed for low power operations in FM Broadcast Band (87,5 –108 MHz). This antenna is composed of three non-corrosive aluminium alloy vertical elements and a mounting bracket.
- **Effective cost.** Good performances at effective cost is the main feature of this antenna.
- **Directional.** The azimuth pattern is directional narrow lobe and normally can't be modified by the mounting structure presence.
- **Antenna systems.** Stacking more antennas it's possible to obtain customized patterns, increase the gain and the power handling capacity according to user requirements. Custom patterns, electrical beam tilt and null fill are available upon request.
- **Broadband.** 10 MHz of bandwidth permits channel or broadband operations with multi-channel combiners.
- **Instant installation.** The reduced overall dimensions and the low weight permit an easy installation even on light poles.
- **Disassemblable.** This antenna is disassemblable in order to reduce the shipment and stocking costs.
- **Lightning resistance** is guaranteed by the DC ground potential of the entire antenna.



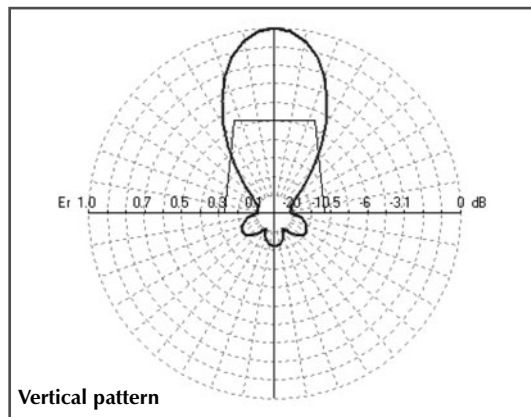
NOTE: FOR DIMENSIONS SEE THE MECHANICALS TABLE BELOW

R.F. Data:		
Frequency Range		87.5 - 108 MHz
Bandwidth		10 MHz
Polarization		Horizontal
Connector		N female
Max. power handling capability		0.6 kW
Gain (at mid band, ref. to $\lambda/2$ dipole)		5.2 dBd
VSWR (in the whole band)		<-20 dB
Impedance		50 $\Omega$
Front to back ratio		>20 dB
Wind load (ref. 150 Km/h):		
-Frontal		21 Kg
-Lateral		30 Kg
Grounding		Via clamps
Horizontal Beamwidth (at -3 dB, at mid band)		60°
Vertical Beamwidth (at -3 dB, at mid band)		48°

Mechanicals		Aluminium
Pole diameter		25 - 55 mm (others on request)
Dimensions (HxWxD):		
88 - 98 MHz Frequency band		80x1650x1280 mm
95 - 105 MHz Frequency band		80x1530x1200 mm
98 - 108 MHz Frequency band		80x1460x1090 mm
Weight		3.2 – 3.8 Kg



Horizontal pattern



Vertical pattern