

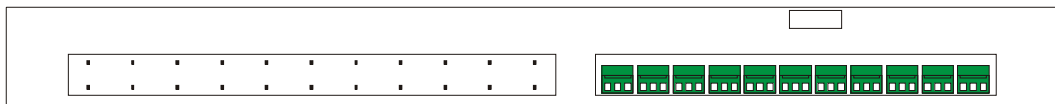
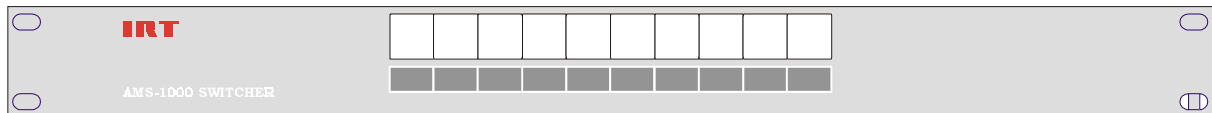
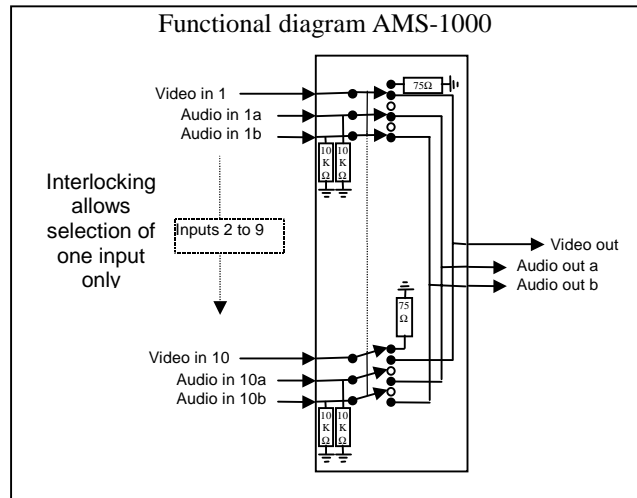
10 x 1 Video + Audio Passive Switcher Type AMS-1000

Applications:

- Monitoring of slave machines in dubbing suites
- Patchbay replacement

Features:

- 10 input video & audio switching in one unit
- Balanced single channel or unbalanced stereo audio
- Simple passive switching
- Self indicating pushbuttons



General:

The AMS-1000 is a passive 10 x 1 video and audio switcher intended for use in non-critical switching and monitoring applications.

Inputs are selected by switches, which are mechanically interlocked. A white flag indicator clearly shows the selected switch from a distance without the need for power.

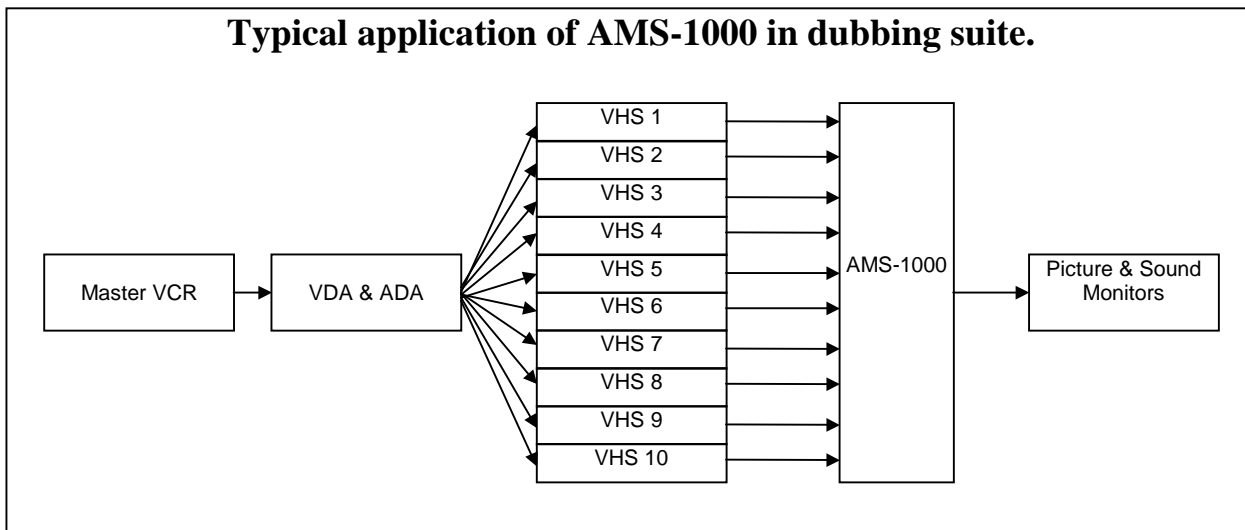
Video: All non-selected video sources are terminated in 75 Ω. The selected video input is switched through to the output and must be terminated at the destination.

Audio: The audio consists of two identical circuits for each switch position. These may be designated as a pair for balanced operation or as Left and Right channels for unbalanced stereo operation.

All audio lines are loaded with 10 KΩ at the input. The selected pair are connected to the output connector and the total loading will be that of the destination in parallel with the switcher loading.

The switcher is housed in an IRT one rack unit (480 x 230 x 44 mm), 19" rack mounting chassis with video connections via BNC connectors and audio via plug in terminal blocks.

Typical application of AMS-1000 in dubbing suite.



AMS-1000 Technical specifications

Video inputs:

Number 10.
 Type 75 Ω terminated when not selected.
 Terminated by output load when selected.

Video output:

Number 1.
 Type Directly connected to selected input.
 Open circuit if no input selected.

Audio inputs:

Number 10 x 2.
 Type 10 K Ω terminated when not selected
 Impedance determined by load when selected.
 May be wired as balanced pairs or as stereo unbalanced pairs.

Video output:

Number 1.
 Type Directly connected to selected terminated input pair.
 Open circuit if no input selected.

Connectors:

Video	BNC.
Audio	Phoenix plug in screw blocks.

Other:

Power Requirements	Nil -- totally passive.
Mechanical	Suitable for mounting in standard 19" rack, with input and output connections on the rear panel.
Finish	Grey enamel, silk-screened black lettering & red IRT logo
Dimensions	480 x 230 x 44 mm
Standard accessories (supplied)	Matching audio connectors.

Due to our policy of continuing development, these specifications are subject to change without notice.

Detailed specifications available from:

Manufacturer:
IRT Electronics Pty Ltd

26 Hotham Parade
 ARTARMON
 N.S.W. 2064 AUSTRALIA
 Phone: +61 2 9439 3744
 Fax: +61 2 9439 7439
 Email: sales@irtelectronics.com

Local Agent:

IRT can be found on the Internet at:
<http://www.irtelectronics.com>