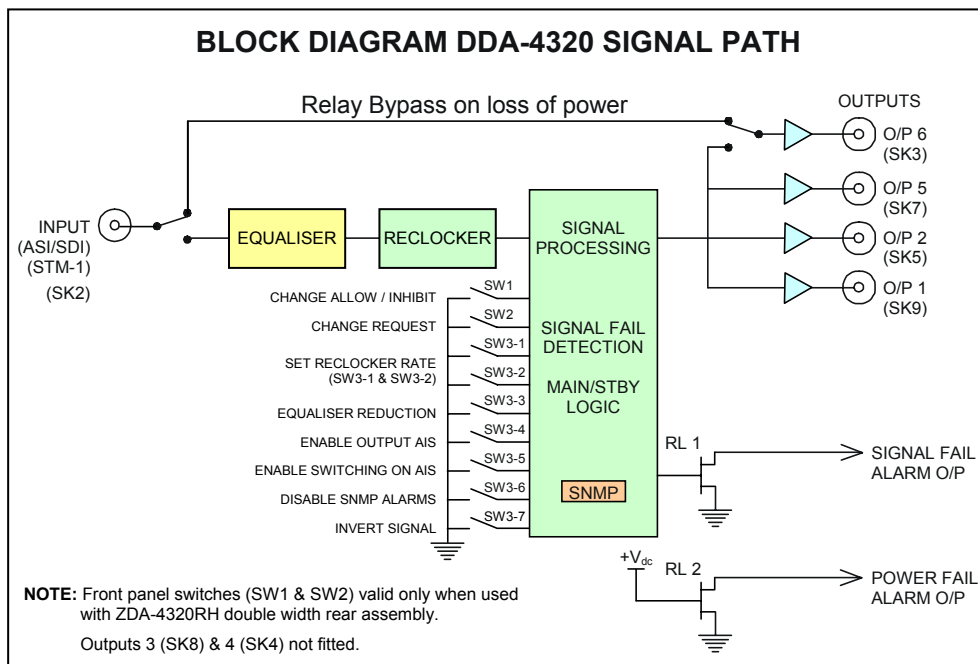


ASI / SDI / STM-1 Path Protection & Distribution Amplifier Type DDA-4320



Features:

- For use as buffer or distribution amplifier.
- 4 x in-phase reclocked outputs.
- Protection switching capability.
- Selectable for either ASI / SDI or STM-1 applications.
- Automatic input equalisation to 250 metres.
- Automatic output muting on no input.
- Relay bypass on loss of power.
- Front panel indicators provide monitoring of presence of input signal at 270 Mb/s (ASI/SDI) or 155 Mb/s (STM-1).
- SNMP monitoring and control.

General:

The DDA-4320 path protection and distribution amplifier covers a wide range of distribution and monitoring functions for ASI, SDI or STM-1 signals.

Four outputs are provided at the rear of the module. The rear assembly includes a bypass relay to switch the Input to Output 6¹ in the event of a power failure.

The DDA-4320 incorporates a protection facility for switching three of the outputs between signals from a companion DDA-4320 when a loss of input is detected. For this configuration, a special double width rear assembly (type ZDA-4320RH) is required to link the signal and logic sections of the two modules.

Changeover-inhibit and changeover-request switches are provided on the front panel for use where modules are so linked.

A manual changeover request may be made either locally by using the front panel switch, remotely via a connection on the rear assembly, or via Simple Network Management Protocol (SNMP) when installed in an IRT frame fitted with SNMP capability.

¹ NOTE: Four Outputs only - outputs 3 & 4 not fitted.

DDA-4320 Technical Specifications

Input:

Number	1.
Impedance	75 Ω , BNC.
Type	270Mb/s ASI / SDI, or 155Mb/s STM-1.
Return loss	>15 dB 5 MHz to 270 MHz.
Equalisation	Automatic, better than 250 metres at 270 Mb/s for Belden 8281 or equivalent cable (reduces to approx. 200m when SW3-3 is ON).

Outputs:

Number	4 ASI / SDI, or STM-1. (Relay bypass of input (SK2) to output (SK3) on loss of power or removal of card).
Type	Relocked.
Level	800 mV \pm 10% into 75 Ω (270Mb/s ASI / SDI / STM-1 NRZ encoded); 1.0 V. \pm 10% into 75 Ω (STM-1 CMI encoded).
Impedance	75 Ω , BNC.
Return loss	>15 dB 5 MHz to 270 MHz.
DC offset	Nil.

Performance:

Relocking	Selectable for 270 Mb/s ASI / SDI, or 155 Mb/s STM-1 operation.
Rise time	<1.5 ns, (850 ps typically).
Intrinsic jitter	<0.1 UI (measured with up to 300m of Belden 8281 or equivalent cable).

Alarm:

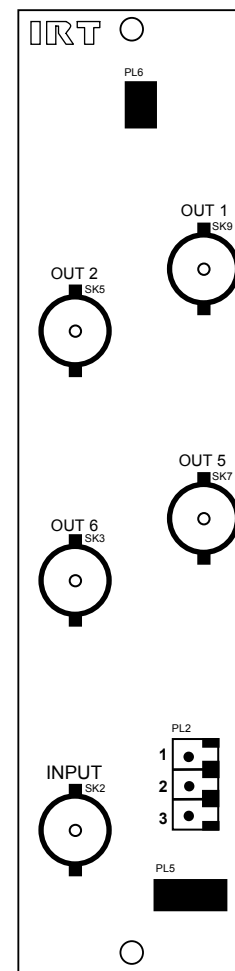
Connector type	3-pin Phoenix style.
Signal loss	Open circuit on loss of input or input signal does not match set rate (not locked).
Power loss	Open circuit on loss of power.

Power requirement:

Voltage	28 Vac CT (14-0-14) or \pm 16 Vdc
Consumption	6.5 VA

Other:

Temperature range	0 - 50° C ambient.
Mechanical	Suitable for mounting in IRT 19" rack chassis with input, output and power connections on the rear panel.
Finish: Front panel	Grey background, black lettering & red IRT logo.
Rear assembly	Detachable silk-screened PCB with direct mount connectors to Eurocard and external signals.
Dimensions	6 HP x 3 U x 220 mm IRT Eurocard.
Standard accessories	Rear connector assembly with matching connector for alarm output.
Optional accessories	SMU-4000 SNMP plug-in module for use with 4000 series frame fitted with SNMP "Agent". ZDA-4320RH double width rear assembly, for handshake connection of two DDA-4320's.



Due to our policy of continuing development, these specifications are subject to change without notice.

Detailed specifications available from:

Manufacturer:
IRT Electronics Pty Ltd

26 Hotham Parade
ARTARMON
N.S.W. 2064 AUSTRALIA
Phone: +61 2 9439 3744
Fax: +61 2 9439 7439
Email: sales@irtelectronics.com

Local Agent:

IRT can be found on the Internet at:
<http://www.irtelectronics.com>