

Product Information Sheet

ProMix-1



ProMix-1

The ProMix-1 is a single channel audio remote/podcast mixer perfect for most remote broadcast or podcasting applications.

Additional features include:

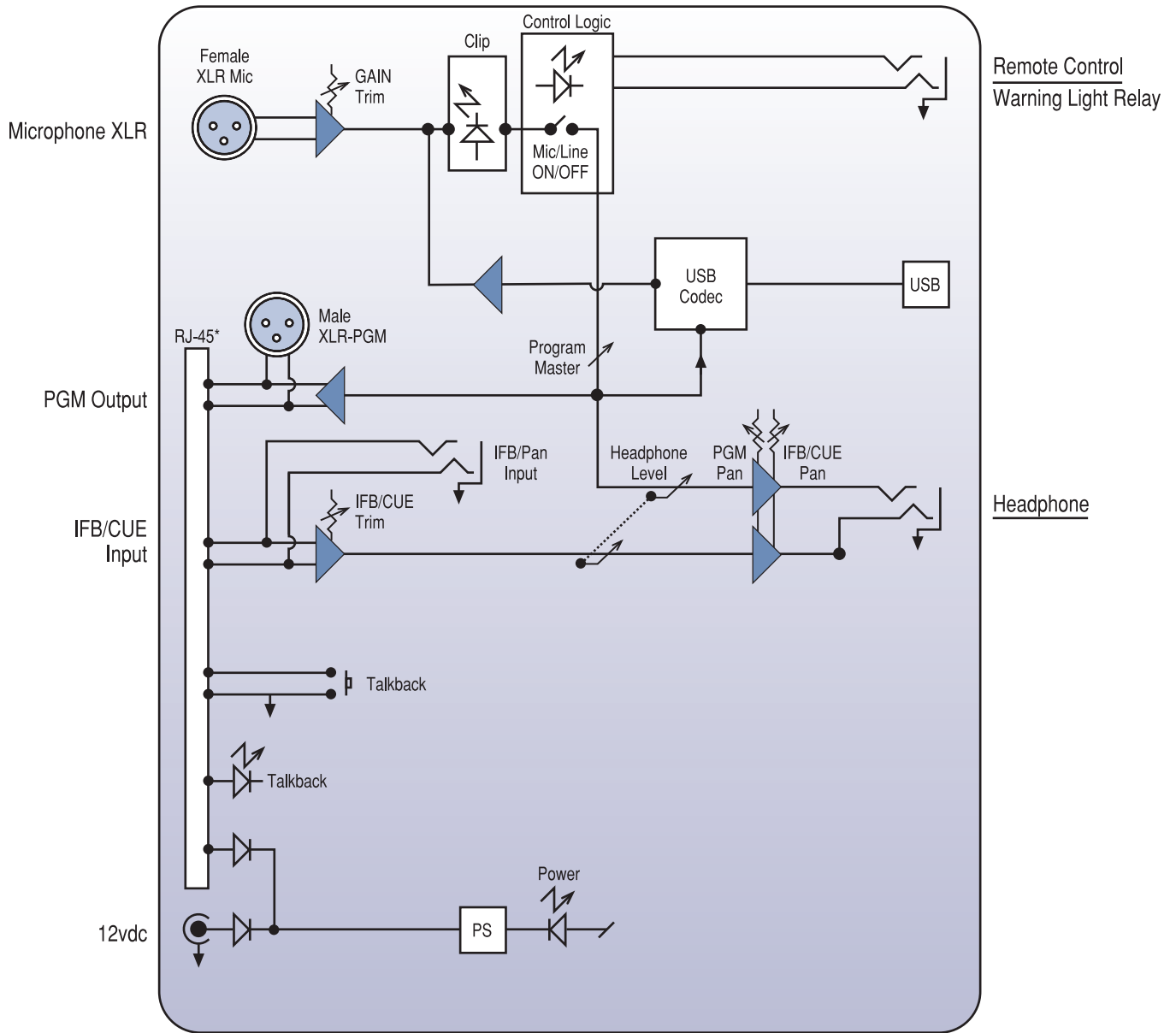
- Single microphone input channel.
- Balanced monaural program output with defeatable soft-clipper.
- Built-in USB codec for computer audio playback and recording.
- Full duplex talk-back capability*.
- IFB audio input with level adjustment.
- Single 1/4 3 stereo headphone outputs with independent volume, IFB pan and program pan controls for custom headphone mixes.
- Remote channel control and status connector.
- Can be combined with additional ProMix 1 s and/or ProMix 4 units with the ProMix Hub 6 and standard Cat5 cables.

**Requires ProMix HUB 6 controller (sold separately)*

BROADCAST[®]
t o o l s
PROBLEM SOLVED

Designed, Assembled and Tested in Washington State, USA. • www.broadcasttools.com

Functional Diagram



• Connection to ProMix Hub 6