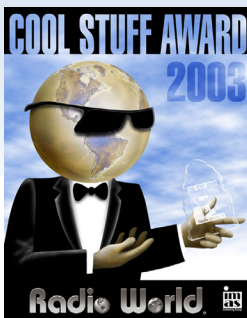




innkeeper PBX CE DESKTOP DIGITAL HYBRID

FEATURES

- Excellent separation of caller and talent voice
- 16 bit DSP technology
- Proprietary auto null algorithm, 50 dB null
- XLR input (mic / line switch)
- 3.5 mm mono line input
- XLR caller output
- 3.5 mm stereo line output
- Send & Receive LEDs
- Send & receive volume controls
- Headphone jack, 3.5 mm stereo, both sides mixed send and receive
- Headphone volume control
- Handset selector switch (Electret, Carbon, Dynamic)



Innkeeper PBX easily converts your multi-line PBX type telephone system into a professional, affordable talk show console. Simply connect between your telephone handset and the phone base. So simple, anyone can do it.

Talk Show: Connect innkeeper PBX between your console and your existing multi-line telephone. Your producer can screen callers from another phone while you take callers on the air by simply selecting available lines on your phone.

Interviews: Use innkeeper PBX in your newsroom to record high quality interviews. Connect a mic and headphones to your PBX telephone while maintaining excellent separation between your voice and the caller.

Conference Room: Easily connect your PA system to the existing PBX telephone system. The echo canceller algorithm can prevent feedback and allow full duplex conversations.

The digital hybrid connects audio signals to your PBX type telephone system through the telephone handset cord. The Digital Signal Processor (DSP) continuously monitors both transmit and receive audio signals to deliver excellent separation. This proprietary, dual convergence echo canceller algorithm can achieve excellent separation without any setup, and without sending a noise burst down the line.

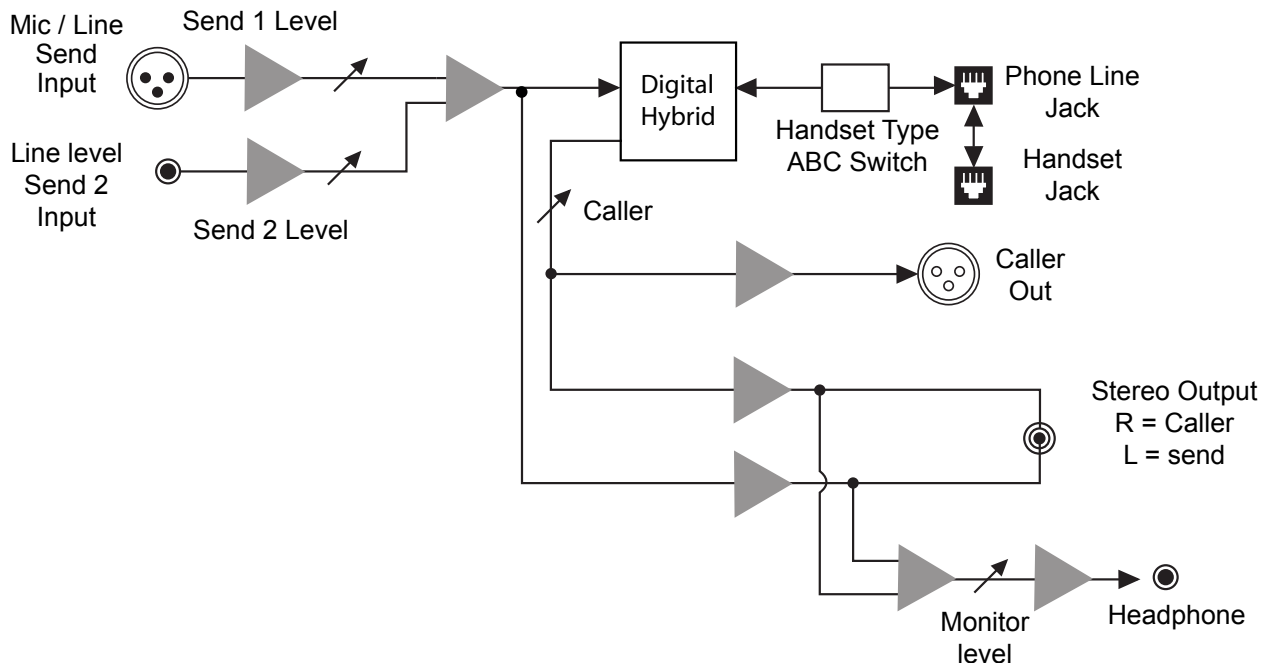
Innkeeper PBX provides connections for a microphone, headphones, mixer, sound card, and telephone handset. The stereo output jack on the back of the unit provides your voice on one channel and only the caller's voice on the other channel. The balanced XLR output jack contains only the caller's voice. The Handset and Broadcast buttons select between talking on the handset, or sending and receiving through the audio connections.

innkeeper PBX

DESKTOP DIGITAL HYBRID



Rear View



Specifications

	Input		Output		
	Balanced Female XLR	1/8" (3.5mm) Mono	Balanced Male XLR	Unbalanced 1/8" (3.5mm) Stereo	Headphone 1/8" (3.5mm)
Impedance:	1 k ohms	20k ohms	200 ohms	50 ohms	8 ohms
Level:	15 mV RMS (-34 dBu) nom Mic / Line pad switch= +6 dBu max	250 mV RMS (-10 dBu) nom	500 mV RMS (-4 dBu) nom +14 dBu max	250 mV RMS (-10 dBu) nom +6 dBu max Left = Send Right = Caller	250 mW Mixed send and receive
Phone Base:	RJ22		Frequency Response:	Telephone Side	
Handset:	RJ22			200 Hz-3600 Hz	
Isolation:	1500 VAC		Size:	7" x 6" x 1.6" (18 x 15 x 4.2 cm)	
Power:	120-240 VAC power supply		Weight:	2.2 lbs (1kg)	
Handset Type: Switch selects electret, dynamic, or carbon handset microphone types					