



THAT-2 TELEPHONE HANDSET AUDIO TAP

CE

FEATURES

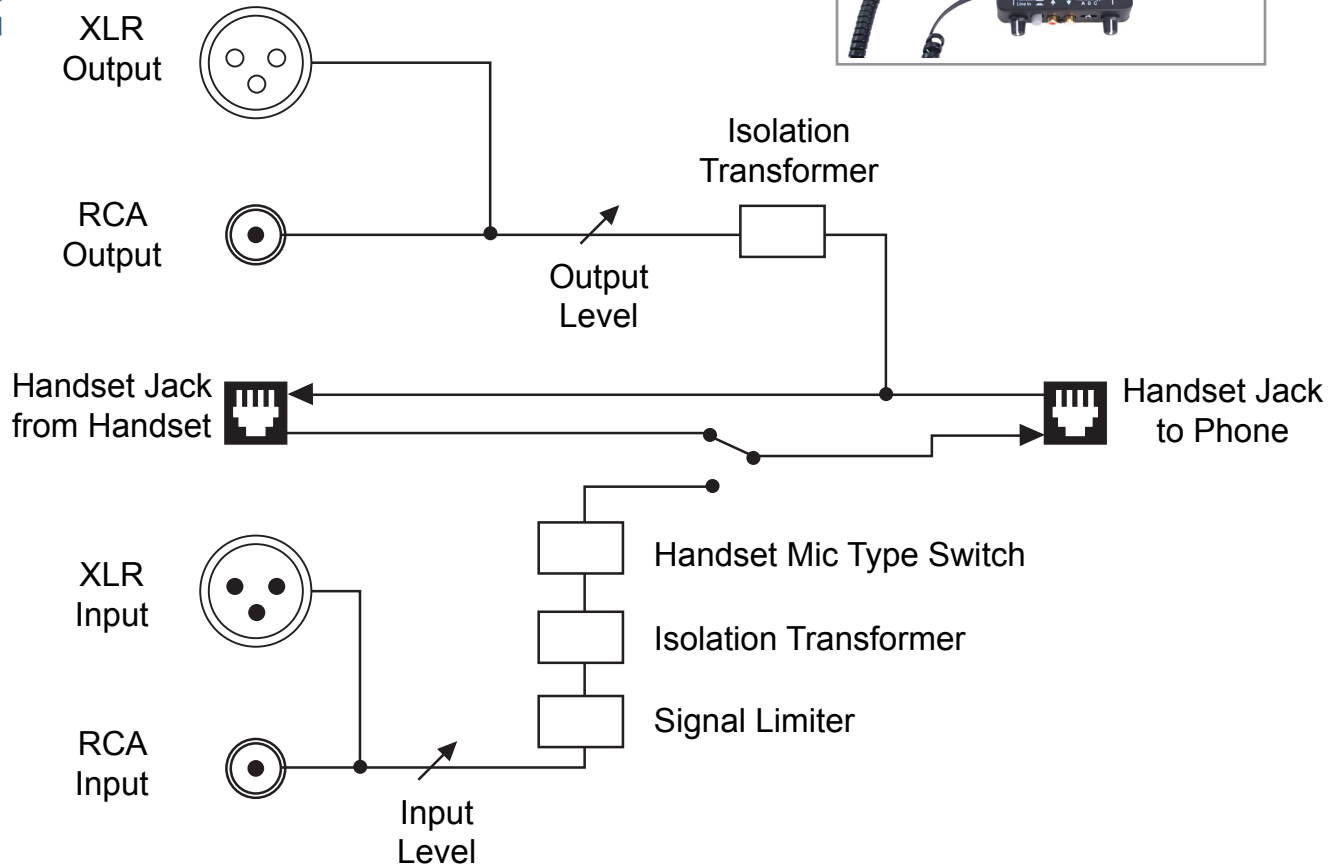
- Works with analog telephones, digital, PBX, and ISDN telephones
- RCA input and output
- XLR input and output
- Switch selects between carbon, dynamic, and electret handset types
- No battery or AC adapter needed
- Durable aluminum construction

Connect the THAT-2 between your telephone and handset for quick access to audio in and out of the telephone. The THAT-2 is used by radio stations to record and play sound bites, and by TV and film sound crews to get IFB and dialog over phone lines.

The THAT-2 is the big brother of our model THAT-1, which is very popular with news reporters for its small yet rugged design. Over the years we've heard from many of our customers that they liked the THAT-1 but would prefer professional XLR jacks and compatibility with more telephone systems. Here is our answer... The THAT-2, a passive handset interface with professional and consumer jacks, separate input and output volume control, a selector switch for the different types of telephone systems, and still no batteries or AC needed!

Simply unplug the handset coily cord from the base of your telephone and plug it directly into the THAT-2. Then, using the supplied cable, connect the THAT-2 back to the telephone.

Now connect your audio equipment to the RCA or XLR jacks. The gray pushbutton selects which audio will be sent into the telephone (OUT = talking on the handset, IN = sending audio in through the RCA or XLR jacks). The output jacks contain a nice mix of audio from both sides of the conversation as well as the tones being pressed on the telephone keypad. The THAT-2 has a threeposition switch which accommodates electret, dynamic, and carbon telephone handset microphone types. The THAT-2 will emulate the type of microphone that is in the handset and allow you send audio into many different types of analog and digital PBX sets, as well as ISDN telephones. The THAT-2 does not work with cellular telephones or any telephone with a keypad in the handset.



Specifications

	Input		Output	
	RCA	Female XLR	RCA	Male XLR
Impedance:	2.5k ohms nom.		2.5k ohms	
Level:	250 mV RMS (-10 dBu) nom +12 dBu max		100 mV RMS (-18 dBu nom)	
Size:	4.5" x 3.2" x 1.3" (11.4 x 8.2 x 3.3 cm)		Weight:	9 ounces (250 grams)