



**RDL**<sup>®</sup>  
Radio Design Labs

SPECIALISTS IN PRACTICAL PRECISION ENGINEERING™

## RACK-UP<sup>®</sup> SERIES

### Model RU-VSQ4

### Sequencing Video Switcher

#### ANYWHERE YOU NEED...

- Loop-Through Output from each Input
- Vertical Interval Switching
- Front-Panel Manual Override
- 10 MHz Bandwidth, NTSC or PAL
- Open-Collector Outputs
- All Solid-State Switching

#### *You Need The RU-VSQ4!*



**APPLICATION:** The RU-VSQ4 is the ideal choice in most applications where up to four video signals need to be sequenced to a single output. The RU-VSQ4 has two rear-panel jacks for each of the four video bridging input stages. One jack is for the input signal; the other is a loop-through output of the source signal. If 75  $\Omega$  termination of the input signal is required, the terminator (provided) is plugged onto the **LOOP OUT** jack. The output video signal is 75  $\Omega$  back-terminated to provide unity gain into a 75  $\Omega$  terminated input.

The front panel features four high-reliability, keyboard-style pushbuttons with LED indicators corresponding to each video input. The LED indicators show which video source is active. When power is initially applied, the RU-VSQ4 sequences between the video inputs at the interval set on the recessed front-panel **RATE** control. If the button for an active source is pushed, the sequencing stops and the output displays that input. While the unit is holding at that video source, the **HOLD** LED indicator flashes. When the operator again pushes the button for that channel, the sequencing resumes. At any time during the sequence, the operator may manually select any of the four sources. The RU-VSQ4 immediately switches to that source and remains there until the operator resumes sequencing by pushing that input button again.

When a video source is requested, either from the front panel or by automatic sequencing, the RU-VSQ4 waits until the next vertical interval to switch to the requested video source. This feature avoids the screen roll typically associated with unsynced video switchers. When a video source is selected, an open-collector output on the rear panel is provided to control other equipment, such as the RDL RU-SX4A Audio Switcher. If fewer than four video sources are being used, a rear-panel jumper may be installed to program the module to use two or three sources.

Wherever a video switcher is needed to provide automatic wide-band video source sequencing, reliability, compactness and unsurpassed versatility, the RU-VSQ4 is the ideal choice. Use the RU-RA3 rack-mount adapter to mount multiple RU-VSQ4s, or to combine related products (such as audio mixing, video distribution, video detection, audio distribution, or audio metering) into a single rack unit!



**RDL**<sup>®</sup>  
Radio Design Labs

SPECIALISTS IN PRACTICAL PRECISION ENGINEERING™



# RACK-UP<sup>®</sup> SERIES

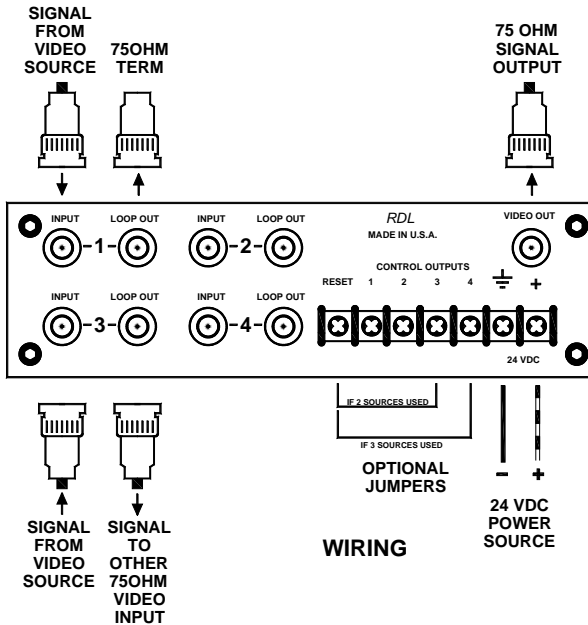
## Model RU-VSQ4

### Sequencing Video Switcher

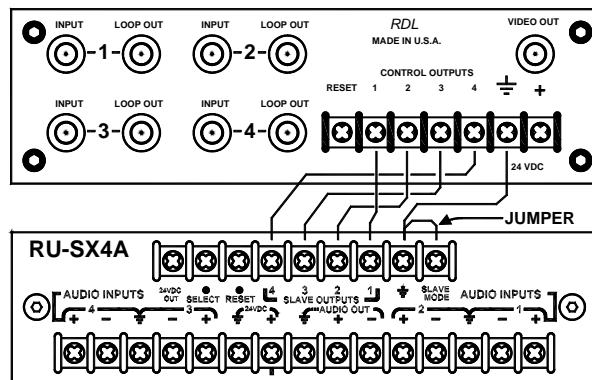
## Installation/Operation



EN55103-1 E1-E5; EN55103-2 E1-E4  
Typical Performance reflects product at publication time exclusive of EMC data, if any, supplied with product. Specifications are subject to change without notice.



INPUT AND OUTPUT VIDEO SIGNALS MUST BE 75 OHM TERMINATED



### TYPICAL PERFORMANCE

Input Impedance:	5 kΩ Bridging	Off Attenuation:	> 65 dB
Gain:	Unity, 75 Ω terminated	Differential Gain:	0.1%
Load Impedance:	75 Ω	Differential Phase:	0.3 degree
Outputs (5):	4 <b>LOOP OUT</b> from Input Signals; 1 <b>Amplified Output</b>	Connector Type:	BNC, gold plated
Operating Signal Level:	0.5 to 1 V p-p	External Control Outputs (4):	50 mA, Open-collector to Ground
Frequency Response:	10 Hz to 10 MHz (+/- 0.35 dB)	Sequencing Rate:	Adjustable 1 to 15 seconds
Noise:	< -70 dB (below 1 V p-p)	Power Requirement:	24 to 33 Vdc @ 110 mA, Ground-referenced
Crosstalk:	< 55 dB		

Radio Design Labs Technical Support Centers  
U.S.A. (800) 933-1780, (928) 778-3554; Fax: (928) 778-3506  
Europe [NH Amsterdam] (+31) 20-6238 983; Fax: (+31) 20-6225-287