

**Key Features:**

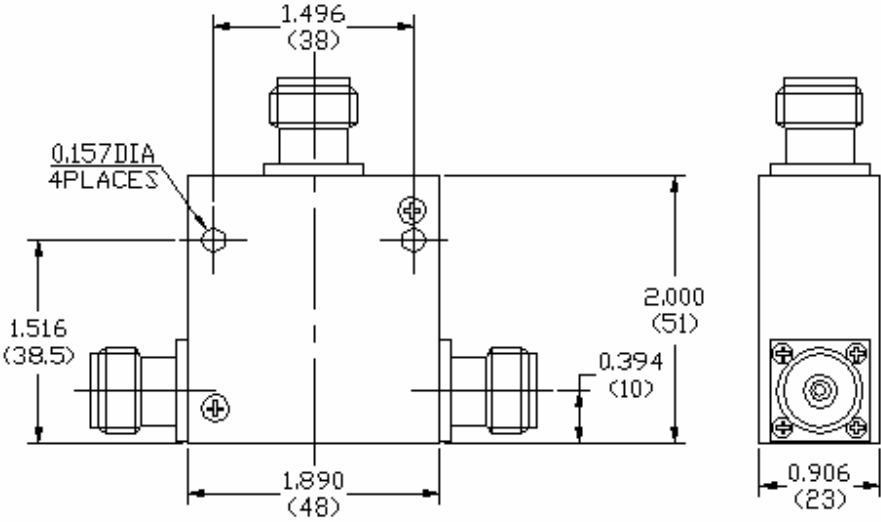
- Frequency range: 400~800MHz
- SMA or N type connectors, customer to specify
- Power handling >+50Watts
- Weight 9.5oz (270 grams) for SMA type
- Operating temperature -30~+60°C



**Electrical Specifications**

Part No.	Freq Range MHz	Insertion Loss, dB	Reverse Isolation, dB	VSWR	Forward Power, Watts	Temp. Range, °C
F2542-0045-22	400-500	0.5 Max	≥20	≤1.2	≥50	-30 ~ +60
F2542-0046-24	400-510	0.5 Max	≥19	≤1.25	≥50	-30 ~ +60
F2542-0048-19	430-520	0.5 Max	≥20	≤1.2	≥50	-30 ~ +60
F2542-0052-21	460-570	0.5 Max	≥20	≤1.2	≥50	-30 ~ +60
F2542-0058-22	520~650	0.5 Max	≥ 20	≤1.2	≥ 50	-30 ~ +60
F2542-0070-29	600~800	0.5 Max	≥ 20	≤1.2	≥ 50	-30 ~ +60

**Mechanical Structure:**



Note: All units in inches (mm).

**Ordering Information:**

