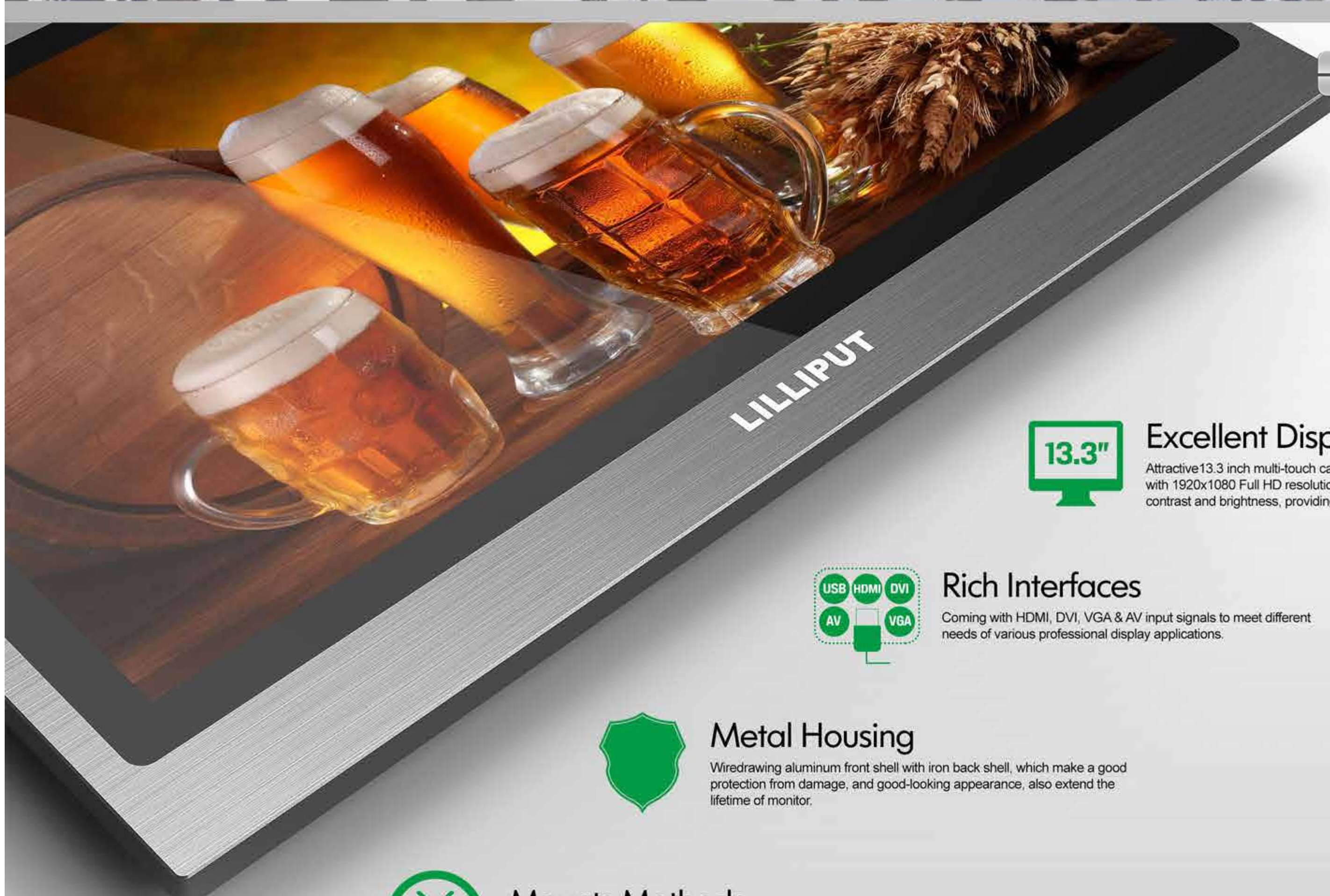


TK1330-NP/C/T

TK1330-NP/C (non touch variant)

FULL HD 1920x1080
13.3" FULL HD HDMI MONITOR WITH CAPACITIVE TOUCH FUNCTION

Excellent Display

Attractive 13.3 inch multi-touch capacitive IPS panel, which features with 1920x1080 Full HD resolution, 170° wide viewing angles, high contrast and brightness, providing satisfied viewing experience.


Rich Interfaces

Coming with HDMI, DVI, VGA & AV input signals to meet different needs of various professional display applications.


Metal Housing

Wiredrawing aluminum front shell with iron back shell, which make a good protection from damage, and good-looking appearance, also extend the lifetime of monitor.

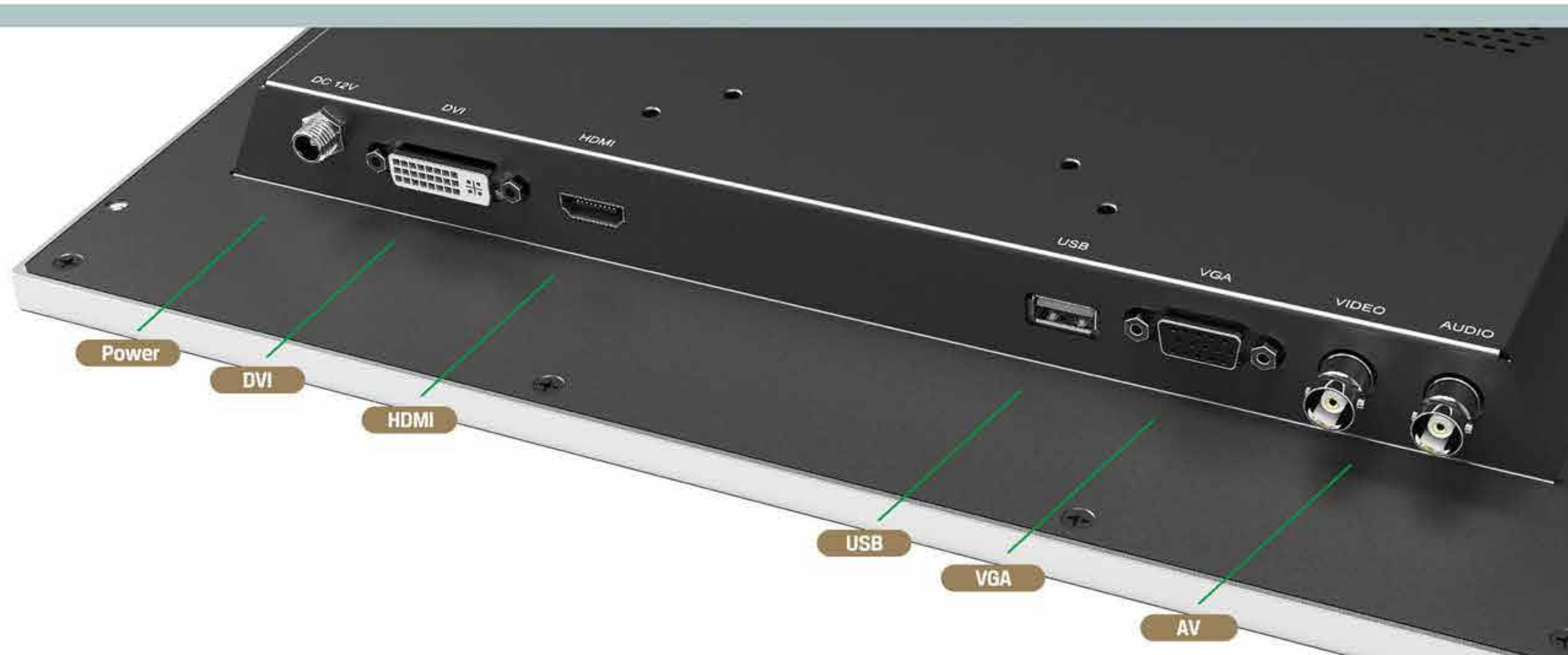

Mounts Methods

Having a variety of mounting usage in plenty of fields, such as rear, wall, 75mm/100mm VESA, desktop and roof mounts.

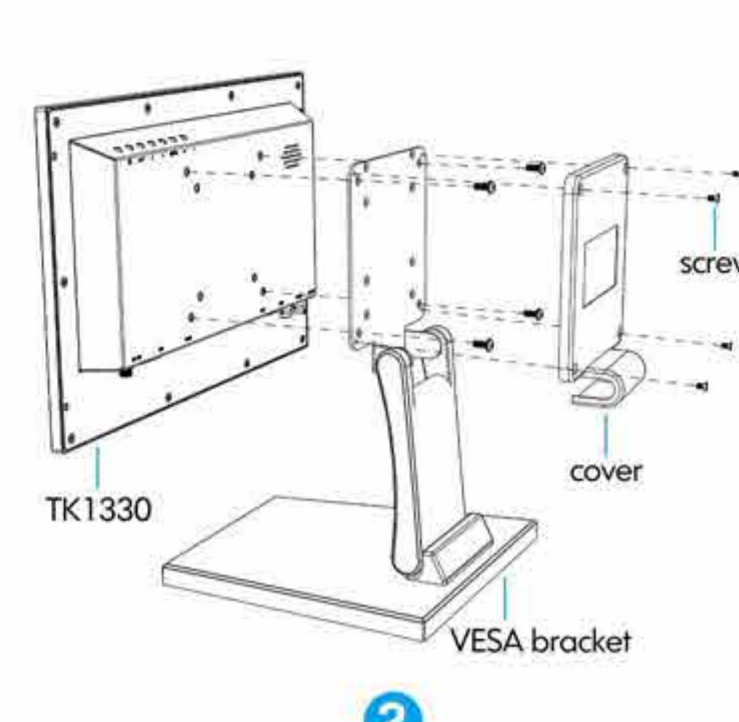
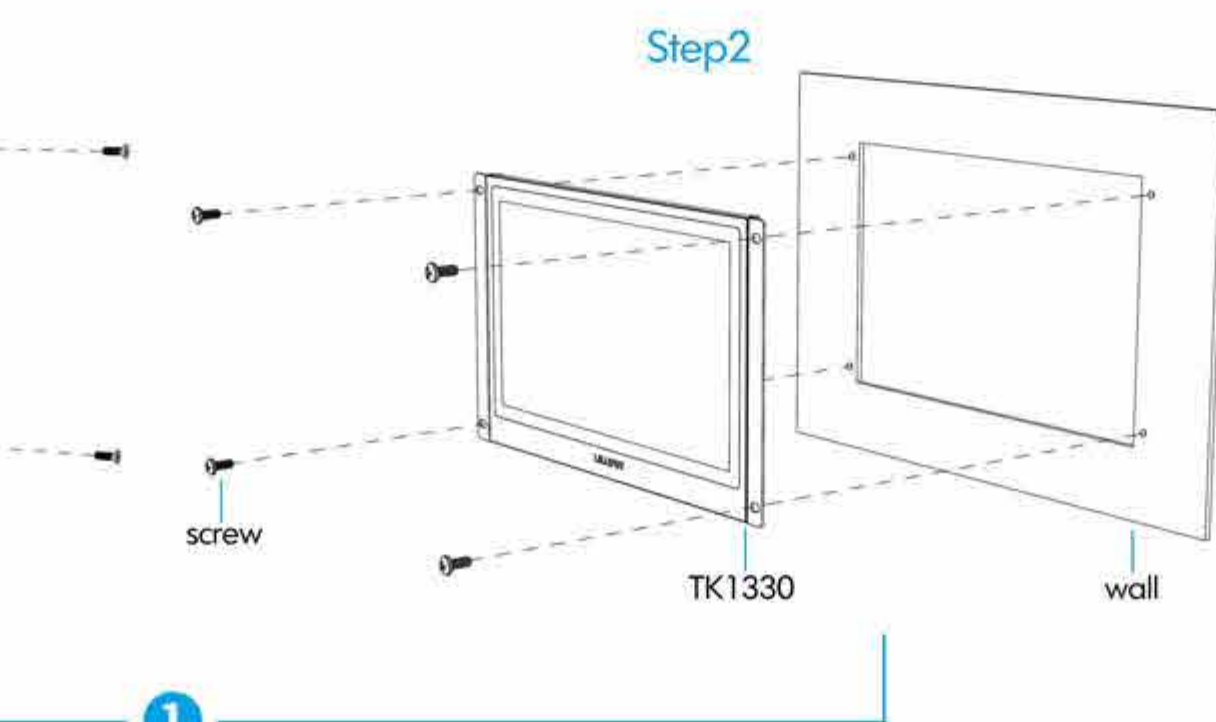
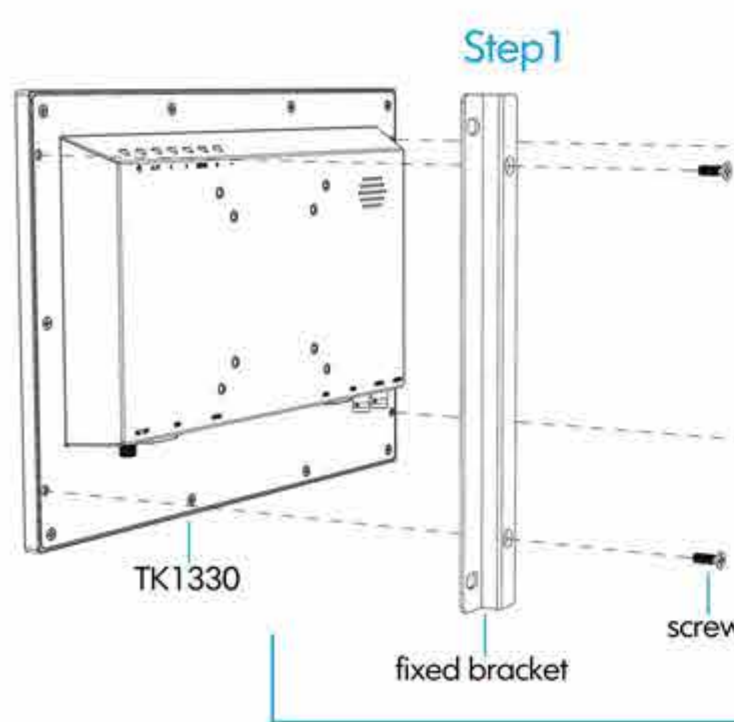
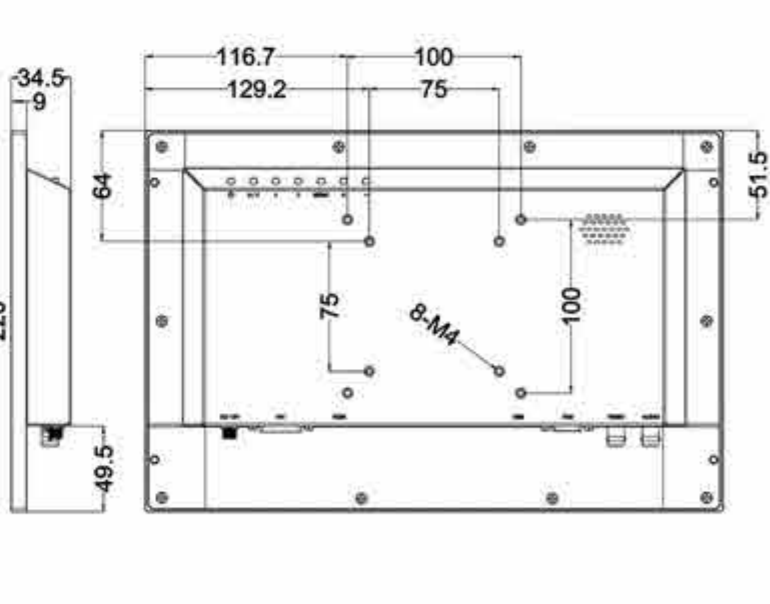
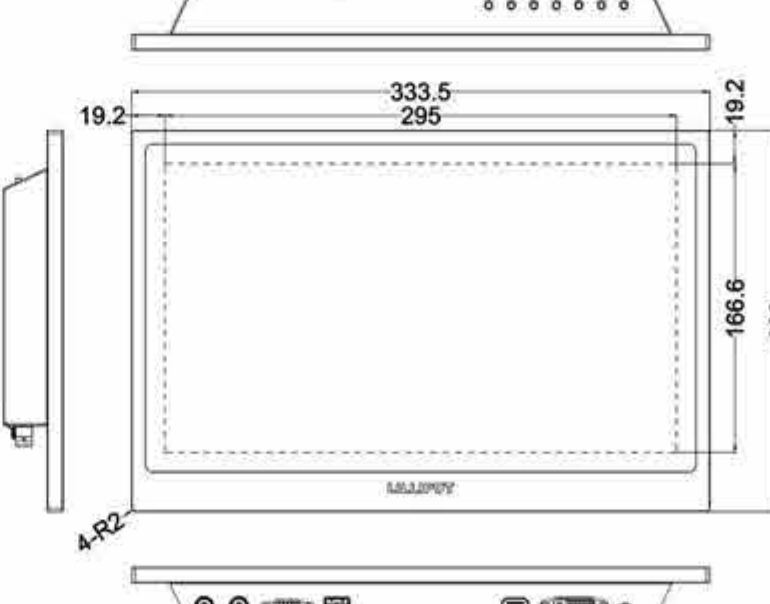


APPLICATION INDUSTRIES

Metal housing design which can be applied in different professional fields. For instance, Human-machine interface, entertainment, retail, supermarket, mall, advertising player, CCTV monitoring, numerical control machine and intelligent industrial control system, etc.


Structure

supports rear/wall mounts with integrated brackets, and VESA 75mm/100mm standard mounting, etc. A metal housing design with slim and firm features making efficient integration into embedded or other professional display applications.



SPECIFICATIONS | ACCESSORIES

DISPLAY	Display Screen	13.3" LED IPS
	Resolution	1920 x 1080
	Aspect Ratio	16:9
	Touch Panel	Capacitive Touch (optional)
	Contrast Ratio	800:1
INPUT AUDIO	Brightness	300cd/m ²
	Viewing Angle	170°/170° (H/V)
	Input Signal	HDMI, VGA, AV, DVI
	Speaker	1
	Input Voltage	DC 7-24V
POWER	Battery	External (optional)
	Current	790mA
	Power Consumption	s8W
ENVIRONMENT	Audio Output	≤1W
	Operating Temperature	-20°C~60°C
	Storage Temperature	-20°C~70°C
DIMENSION	Dimension(LWD)	333.5×219×34.5mm
	Weight	1900g

STANDARD	
1. HDMI A/A cable	1 piece
2. VGA cable	1 piece
3. USB cable (for touch function)	1 piece
4. Touch driver disk	1 piece
5. 12V DC adapter	1 pair
6. Fixed bracket with screws	1 pair
7. Screws for VESA mount	4 pieces
OPTIONAL	
1. VESA folding bracket	1 piece
2. DVI cable	1 piece



Note: Due to constant effort to improve products and product features, specifications may change without notice.