



RDL®

High Performance Audio Products. Made in America.

TWISTED PAIR FORMAT-A Models Models D-TPS2A, DB-TPS2A, DS-TPS2A Format-A Two-Pair Senders



- Two Unbalanced -10 dBV Phono Jack Audio Inputs
- Left (L) Input Feeds Pair B; Right (R) Feeds Pair C
- Signal and Power Pair Pass-Through on RJ45 Jacks
- Remote Powering through Twisted Pair Cable
- Fused Local Power Feeds all Connected Modules
- Local Power Input on Terminal Block
- Blue LED Indicates Module is Powered
- Daisy-Chain with Single-Pair or Two-Pair Senders
- Studio-Quality Precision Active Balanced Circuitry

The D SERIES-TPS2A modules are two-pair audio sending modules compatible with RDL Format-A twisted pair products. These modules are designed to be mounted in wall boxes, cabinets or other enclosures that allow users to connect audio sources. The -TPS2A models mount in RDL WB-1U and WB-2U wall boxes, or in standard U.S. electrical boxes. The D-TPS2A features a white front-panel laminate with gray lettering that matches RDL Decora®-style remote controls. The DB-TPS2A features a black front-panel laminate. The DS-TPS2A is constructed of stainless steel to coordinate with RDL Decora-style stainless steel remote controls in commercial/industrial installations.

APPLICATION: The D SERIES-TPS2A modules feature two RCA phono jack inputs, one for the left channel source and one for the right channel source. These inputs are designed to receive standard -10 dBV consumer level signals. The input signals are amplified using studio-quality preamplifiers optimized for normal operating levels. The buffered left and right inputs are routed to output cable pairs B and C.

These modules drive only two cable pairs, therefore they accept a signal and power from one mic-level or line-level Format-A single-pair sender. The D SERIES-TPR1A modules have a second RJ45 jack for an input cable. One single-pair sender may be chained with the -TPS2A. A single-pair sender must be set to feed pair A if it is connected together with the -TPS2A. The power pair and all three audio pairs are fed through both rear-panel RJ45 jacks.

The D SERIES-TPS2A may be powered directly from a 24 Vdc power supply using the detachable terminal block. Local power connected to the module is also fed to all connected remote modules. The -TPS2A may be remotely powered through the twisted pair cable from any other module, signal distributor or RDL power inserter connected to the same twisted pair cable. Module power is indicated by a front-panel LED.

RDL FORMAT-A features superior audio performance that rivals or exceeds shielded wiring. Design simplicity, ease of installation, unsurpassed flexibility, automatic fused power, exceptional hum rejection, low noise, and low distortion provide designers and installers the optimum choice in economical twisted pair products.



RDL[®]

High Performance Audio Products. Made in America.

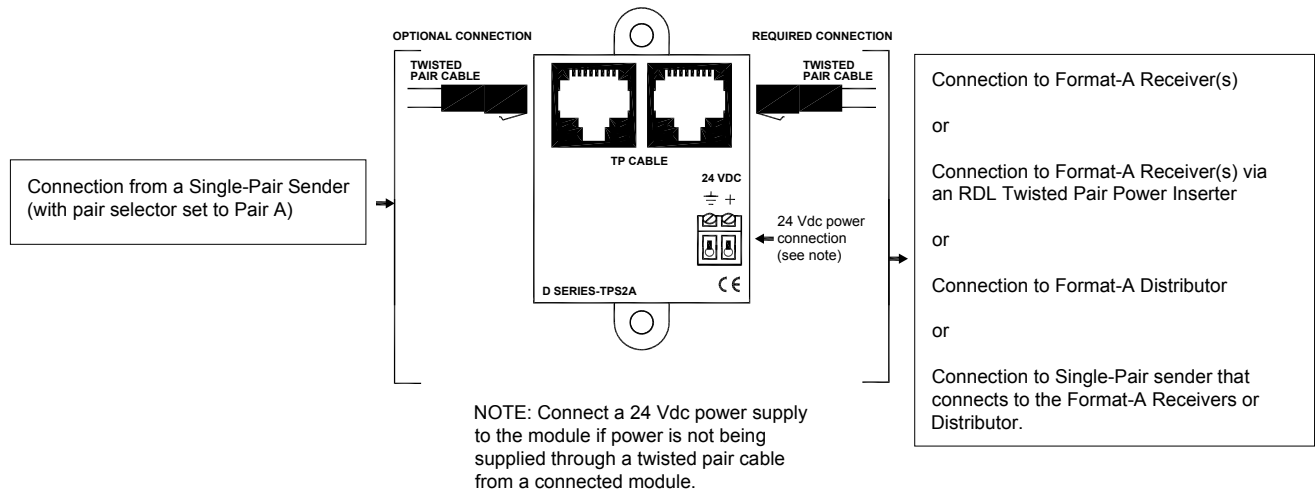
FORMAT-A TWISTED PAIR Models D-TPS2A, DB-TPS2A, DS-TPS2A Format-A Two-Pair Senders

Installation/Operation

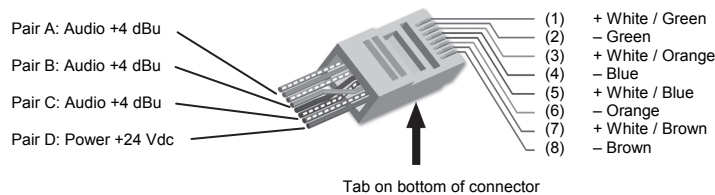
CE Declaration of Conformity available from rdlnet.com.
Sole EMC specifications provided on product package.
Specifications are subject to change without notice.

STEP 1: Connect 24 Vdc to the power input terminals if this module is not being powered through the twisted pair cable from another module, or if this module is located an excessive distance from the next powered module on the cable. Note: The front-panel power LED will be illuminated if this module is powered. If this module is powering other modules through the cable and if there is a wiring short, the short must be cleared then power must be turned off to this module for 10 seconds to reset the internal protection circuit.

STEP 2: Connect the twisted pair cable(s) and fasten the module in its mounting box.



RJ45 Standard wiring



RJ45 conductor colors shown are for 568A standard. The 568B standard may be used if the connectors at both ends of the cable are wired identically.

TYPICAL PERFORMANCE

Inputs (2): 10 kΩ Unbalanced
Input Connection: RCA Phono
Input Level: -10 dBV Unbalanced; +10 dBV Maximum
Format-A Signal Pairs Used (2): B (Left); C (Right)
Gain: 12 dB
Format-A Input: RJ45 (not applicable to EM-)
Output: RDL TP Format-A
Output Connection: RJ45
Frequency Response: 20 Hz to 50 kHz (+/- 0.5 dB)

THD+N: < 0.05% (20 Hz to 50 kHz); < 0.005% (1 kHz)
Noise below +4 dBu: < -95 dB
Crosstalk: < 90 dB (1 kHz); < 75 dB (20 Hz to 20 kHz)
Headroom above +4 dBu: > 18 dB
Indicator: Power In
Power Connections (2): Detachable Terminal Block; RJ45
Power Requirement: 24 Vdc @ 65 mA plus connected loads
Maximum Load Current: 135 mA
Dimensions: 1.6" (4.06 cm) W; 4.11" (10.45 cm) H; 1.89" (4.8 cm) D
Mounting Box Minimum Depth: 2.4"

Radio Design Labs Technical Support Centers

U.S.A. (800) 933-1780, (928) 778-3554 - Europe [NH Amsterdam-Duivendrecht] (+31) 20-6238 983